

GORMAGH

Quality Management
ISO 9001
www.dekra-seal.com



14000 E A.S.C.



www.cormach.com

... ABOUT ANCIENT

EGYPT MANUSCRIPTS



KRANKAMON, PHARAOH OF EGYPT, DREAMED ABOUT HIS PYRAMID, THAT IN HIS INTENT, SHOULD BECOME THE BIGGEST EVER BUILT.

* Phew! What hard work. Is it possible that anybody can think of a better pushing system?



THE BUILDING PROCESS WAS SLOW BEING HIS LIMITED TO SLAVES AND MATERIAL.

* But, why is it such hard work using only one support?



THE PHARAOH LIVED A SHORT AND HARD LIFE, AND THE KRANKAMON PYRAMIDS REMAINED A DREAM.

* There is something illogical in this system. The offset boom unbalances the structure.



LATER THE PHARAOH DECIDED TO BUILD AN OBELISK WITH HIS IMAGE ON TOP.

Why is the structure so weak? It cannot carry the weight of my statue!



PHARAOH CORMISES YEARS LATER, DREAMED THE SAME DREAM, OF THE BIGGEST PYRAMID BEING HIS OWN.

* Here is the solution: Cormach system with roller bearing, faster and more efficient.



BEING OLD HE DECIDED TO FINISH KRANKAMON WORK, BUT HE NEEDED SOMETHING TO SPEED THE WORK UP.

* Here is the solution: Cormach system with double mast and double lifting cylinders.



CORMISES DREAM CAME THROUGH AND HIS PYRAMID WILL STAND FOR EVER.

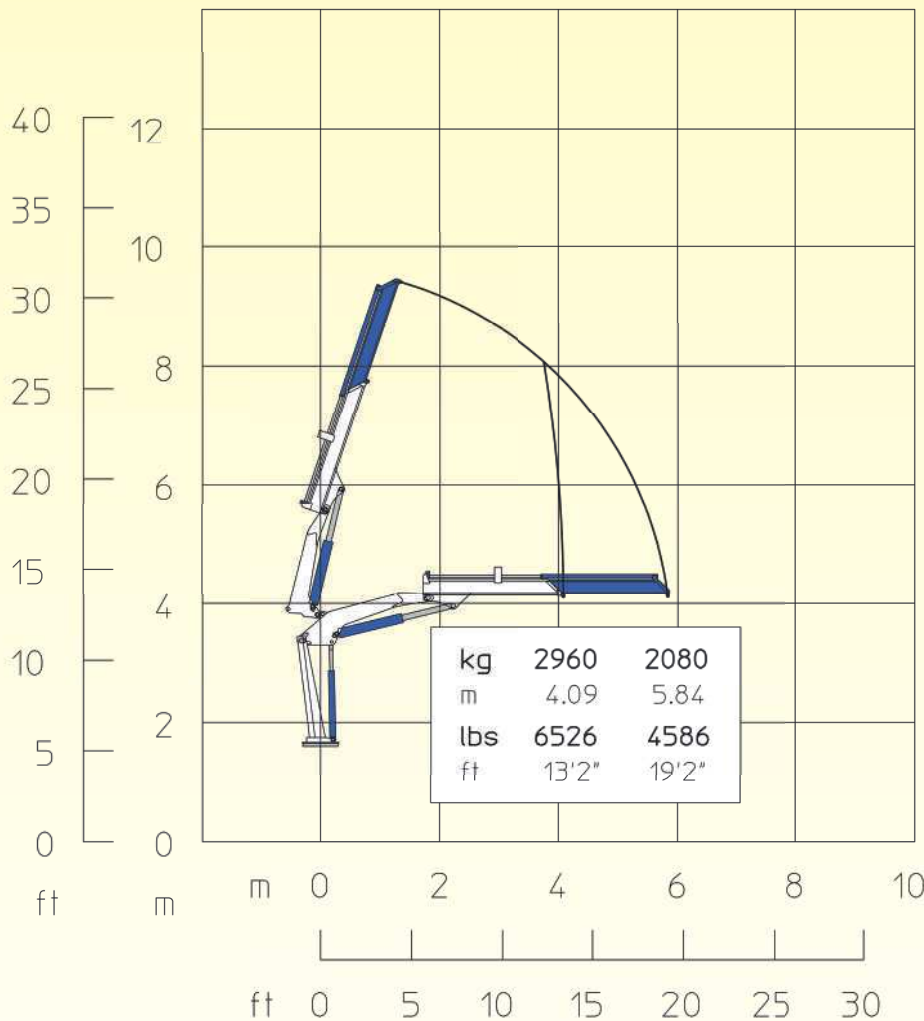
* Here is the solution: Cormach boom in central position makes the structure more balanced. Excellent.



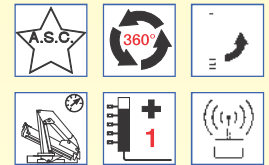
"MANY YEARS LATER CORMISES BUILT HIS OBELISK WITH HIS STATUE ON TOP. ALL THE PEOPLE TO SEE HIS IMAGE FOLLOWS TO COME."

* Amazing!! the balanced structure can support a much heavier load!!

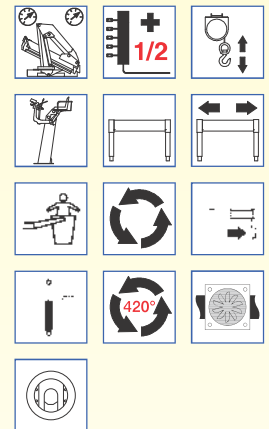
END



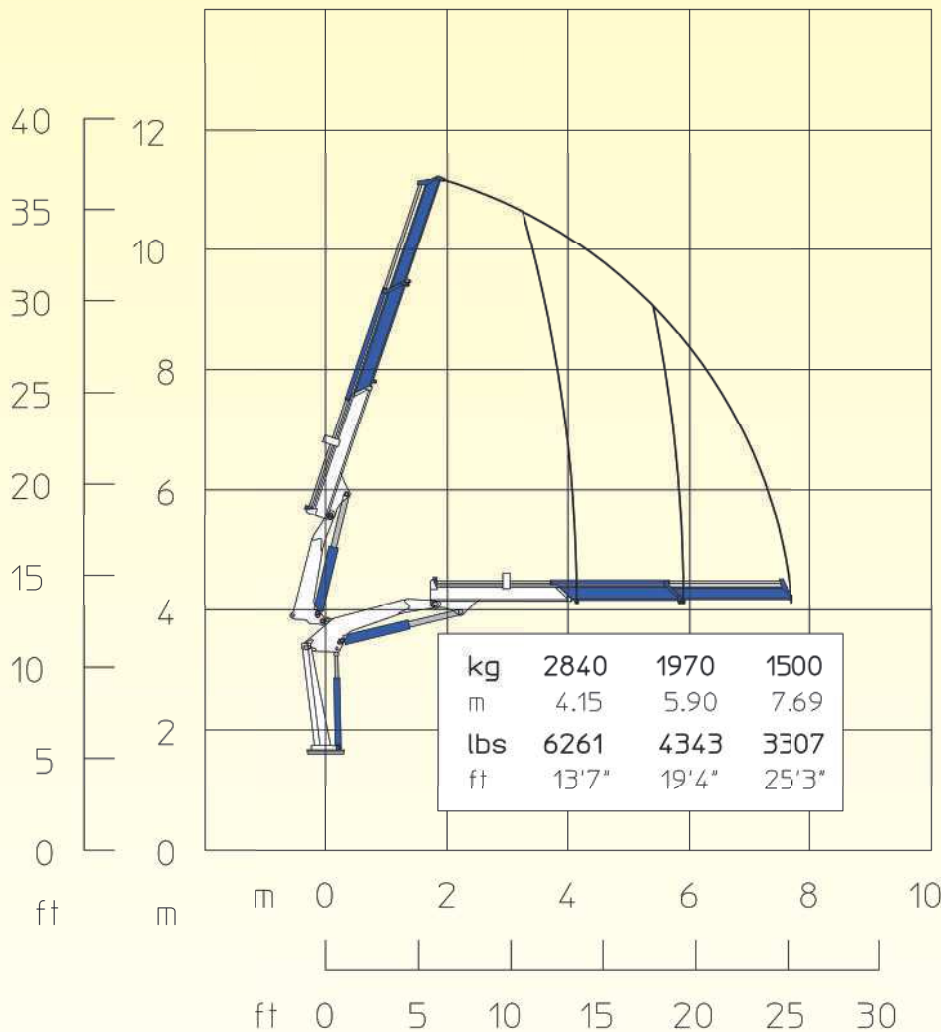
STANDARD



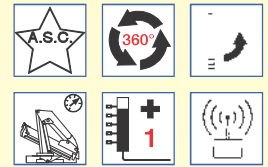
OPTIONAL



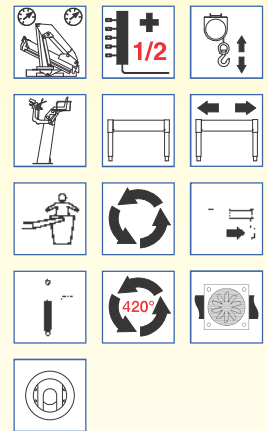
E1	E1	
14000 daN*m	101281 Lb*ft	Momento statico massimo al perno torretta • Max. static moment at the turret pin Moment statique max. a l'axe de la tourelle • Max. statisches ubmoment am kranseulenbolzen
5.84 m	19' 2"	Sbraccio idraulico • Hydraulic boom length Longueur du bras hydraulique • Hydraulic reichweite
		Sbraccio con prolunghe manuali • Bomm length with manual extensions Longueur du bras avec rallonges manuelles
870 daN*m	6293 Lb*ft	Coppia di rotazione • Slew torque • Moment de rotation • Drehmoment
39 s 360°	39 s 360°	Tempo di rotazione • Slewing speed • Temp de rotation • Schwenkgeschwindigkeit
1400+1300 mm	4' 7" + 4' 3"	Uscita stabilizzatori • Outriggers extensions Sortie des bequilles • Breite der abstützung
4850 mm	15' 11"	Larghezza stabilizzatori • Outriggers width Largeur des bequilles • Breite der abstützung
793 mm	2' 7"	Lunghezza • Length • Longeur • Länge
2405 mm	7' 11"	Larghezza • Width • Largeur • Breite
2160 mm	7' 1"	Altezza • Height • Huteur • Höhe
1525 kg	3362 lbs	Peso (senza olio e montaggio) • Weight (without oil and fitting) Poids (sans huile et montage) • Gewicht (ohne öl und ohne)
25 l/min	6 us gal/min	Portata pompa (*) • Pump delivery (*) • Capacité de la pompe (*) • Pumpenleistung (*)
295 bar	4149 psi	Pressione • Pressure • Pression • Druck
57 l	15 us gal	Capacità serbatoio olio • Oil tank capacity • Capacité de reservoir d'huile • Öl tank inhalt



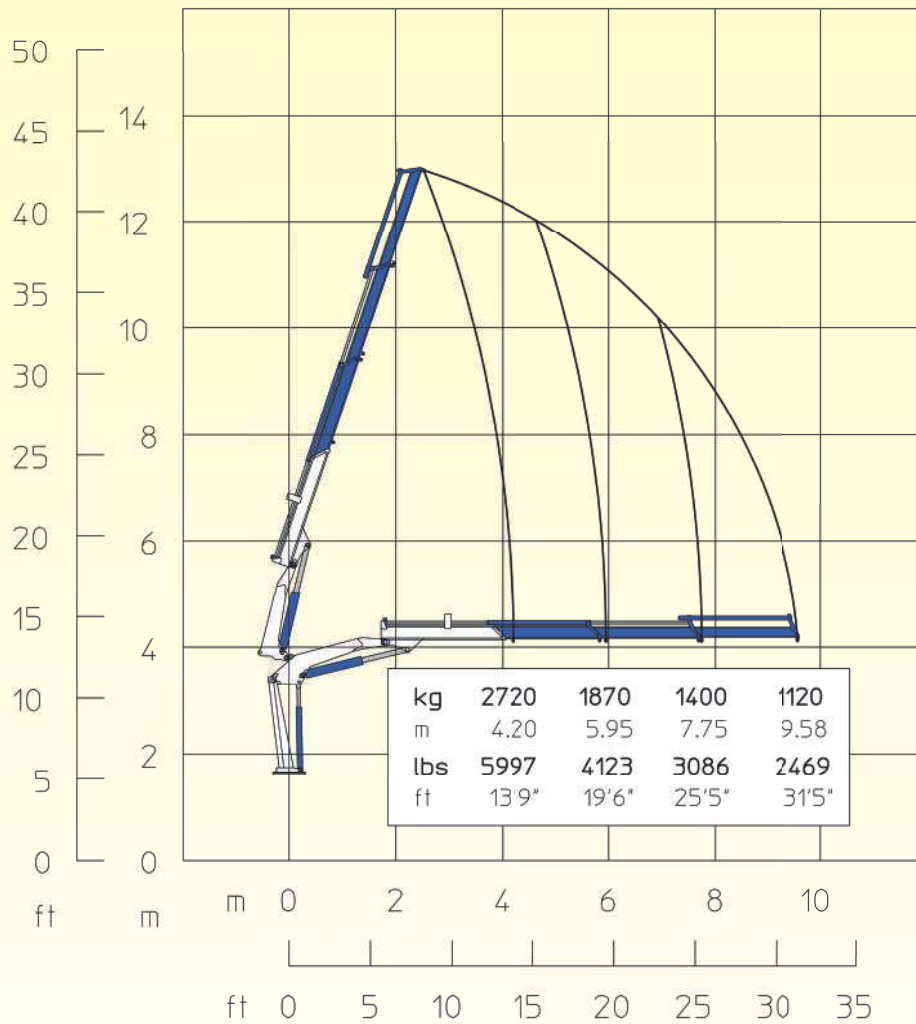
STANDARD



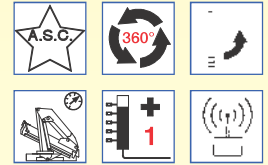
OPTIONAL



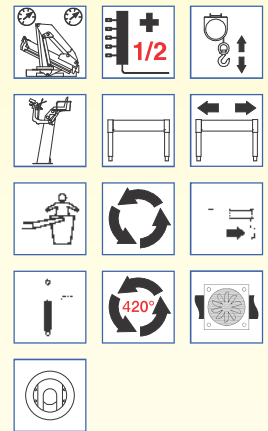
E2	E2	
14000 daN*m	101281 Lb*ft	Momento statico massimo al perno torretta • Max. static moment at the turret pin Moment statique max. a l'axe de la tourelle • Max. statisches ubmoment am kranaulenbolzen
7.69 m	25' 3"	Sbraccio idraulico • Hydraulic boom length Longueur du bras hydraulique • Hydraulic reichweite
		Sbraccio con prolunghe manuali • Boom length with manual extensions Longueur du bras avec rallonges manuelles
870 daN*m	6293 Lb*ft	Coppia di rotazione • Slew torque • Moment de rotation • Drehmoment
39 s 360°	39 s 360°	Tempo di rotazione • Slewing speed • Temp de rotation • Schwenkgeschwindigkeit
1400+1300 mm	4' 7" + 4' 3"	Uscita stabilizzatori • Outriggers extensions Sortie des bequilles • Breite der abstützung
4850 mm	15' 11"	Larghezza stabilizzatori • Outriggers width Largeur des bequilles • Breite der abstützung
793 mm	2' 7"	Lunghezza • Length • Longueur • Länge
2405 mm	7' 11"	Larghezza • Width • Largeur • Breite
2160 mm	7' 1"	Altezza • Height • Hauteur • Höhe
1640 kg	3616 lbs	Peso (senza olio e montaggio) • Weight (without oil and fitting) Poids (sans huile et montage) • Gewicht (ohne öl und ohne)
25 l/min	6 us gal/min	Portata pompa (*) • Pump delivery (*) • Capacité de la pompe (*) • Pumpenleistung (*)
295 bar	4149 psi	Pressione • Pressure • Pression • Druck
57 l	15 us gal	Capacità serbatoio olio • Oil tank capacity • Capacité de reservoir d'huile • Öl tank inhalt



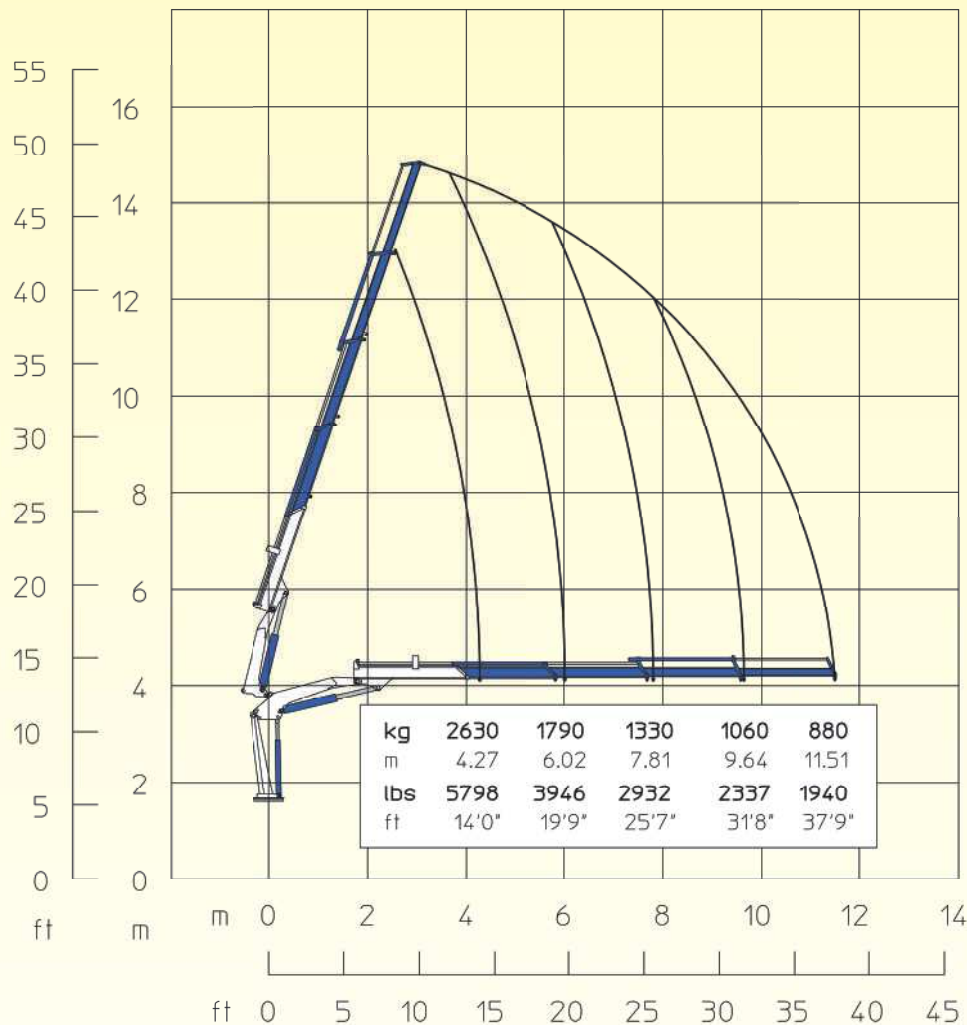
STANDARD



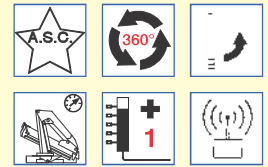
OPTIONAL



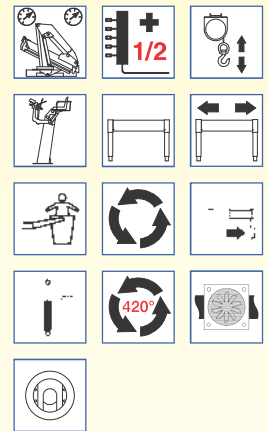
E3	E3	
14000 daN*m	101281 Lb*ft	Momento statico massimo al perno torretta • Max. static moment at the turret pin Moment statique max. a l'axe de la tourelle • Max. statisches ubmoment am kranstaulenbolzen
9.58 m	31' 5"	Sbraccio idraulico • Hydraulic boom length Longueur du bras hydraulique • Hydraulic reichweite
		Sbraccio con prolunghe manuali • Bomm length with manual extensions Longueur du bras avec rallonges manuelles
870 daN*m	6293 Lb*ft	Coppia di rotazione • Slew torque • Moment de rotation • Drehmoment
39 s 360°	39 s 360°	Tempo di rotazione • Slewing speed • Temp de rotation • Schwenkgeschwindigkeit
1400+1300 mm	4' 7" + 4' 3"	Uscita stabilizzatori • Outriggers extensions Sortie des bequilles • Breite der abstützung
4850 mm	15' 11"	Larghezza stabilizzatori • Outriggers width Largeur des bequilles • Breite der abstützung
793 mm	2' 7"	Lunghezza • Length • Longueur • Länge
2405 mm	7' 11"	Larghezza • Width • Largeur • Breite
2160 mm	7' 1"	Altezza • Height • Hauteur • Höhe
1745 kg	3847 lbs	Peso (senza olio e montaggio) • Weight (without oil and fitting) Poids (sans huile et montage) • Gewicht (ohne öl und ohne)
25 l/min	6 us gal/min	Portata pompa (*) • Pump delivery (*) • Capacité de la pompe (*) • Pumpenleistung (*)
295 bar	4149 psi	Pressione • Pressure • Pression • Druck
57 l	15 us gal	Capacità serbatoio olio • Oil tank capacity • Capacité de reservoir d'huile • Öl tank inhalt



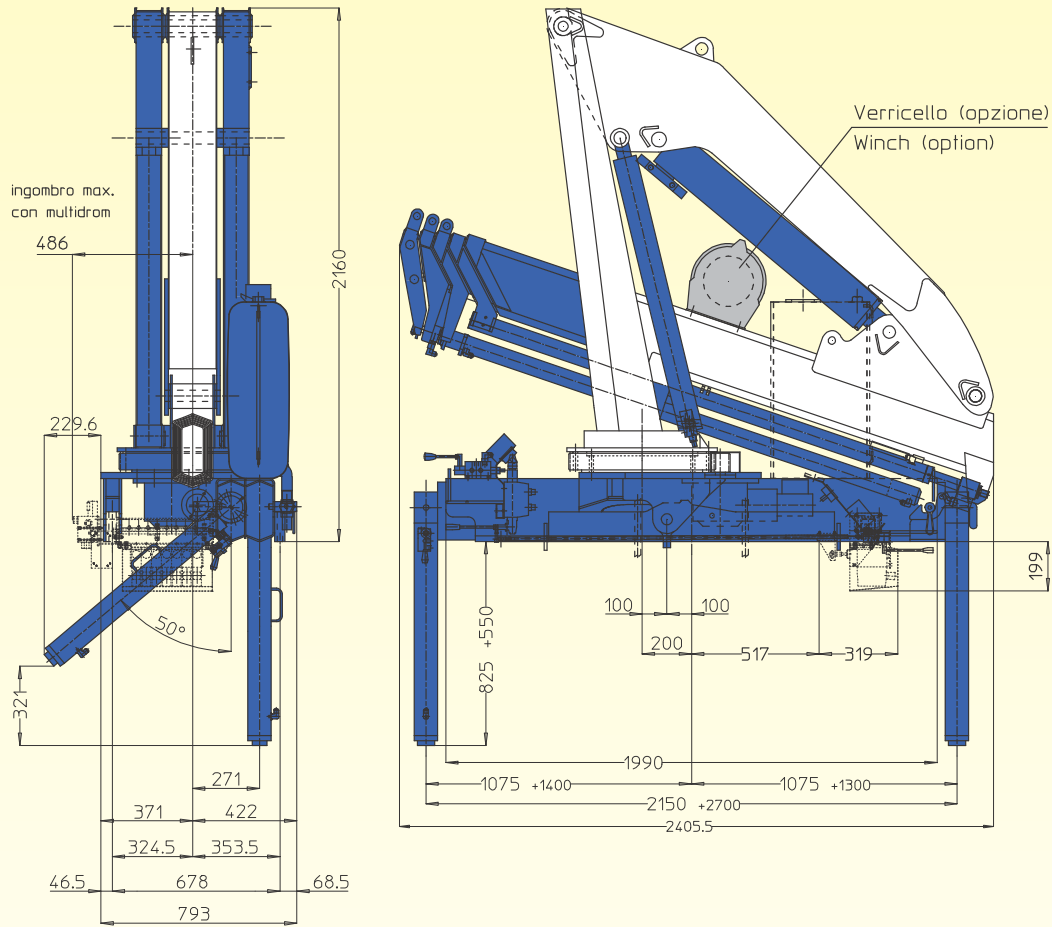
STANDARD



OPTIONAL



E4	E4	
14000 daN*m	101281 Lb*ft	Momento statico massimo al perno torretta • Max. static moment at the turret pin Moment statique max. a l'axe de la tourelle • Max. statisches ubmoment am kranstaulenbolzen
11.51 m	37' 9"	Sbraccio idraulico • Hydraulic boom length Longueur du bras hydraulique • Hydraulic reichweite
		Sbraccio con prolunghe manuali • Bomm length with manual extensions Longueur du bras avec rallonges manuelles
870 daN*m	6293 Lb*ft	Coppia di rotazione • Slew torque • Moment de rotation • Drehmoment
39 s 360°	39 s 360°	Tempo di rotazione • Slewing speed • Temp de rotation • Schwenkgeschwindigkeit
1400+1300 mm	4' 7" + 4' 3"	Uscita stabilizzatori • Outriggers extensions Sortie des bequilles • Breite der abstützung
4850 mm	15' 11"	Larghezza stabilizzatori • Outriggers width Largeur des bequilles • Breite der abstützung
793 mm	2' 7"	Lunghezza • Length • Longeur • Länge
2405 mm	7' 11"	Larghezza • Width • Largeur • Breite
2160 mm	7' 1"	Altezza • Height • Huteur • Höhe
1835 kg	4046 lbs	Peso (senza olio e montaggio) • Weight (without oil and fitting) Poids (sans huile et montage) • Gewicht (ohne öl und ohne)
25 l/min	6 us gal/min	Portata pompa (*) • Pump delivery (*) • Capacité de la pompe (*) • Pumpenleistung (*)
295 bar	4149 psi	Pressione • Pressure • Pression • Druck
57 l	15 us gal	Capacità serbatoio olio • Oil tank capacity • Capacité de reservoir d'huile • Öl tank inhalt



STANDARD



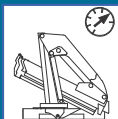
Automatic Speed Control
Automatic Speed Control
Automatic Speed Control
Automatic Speed Control



Rotazione 360°
Rotation 360°
Rotation 360°
Drehbereich 360°



Stabilizzatori gru base girevoli
Tilt up outriggers
Bequilles tournants
Drehbare stützen



Limitatore di momento
Load limiting device
Limiteur de charge
Überlastabschal tungssystem

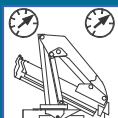


Comando supplementare non attivato (1)
Additional free section not activated (1)
Section du distributeur pas activé (1)
Zusätzlicher steuerschieber (1)



Radiocomando
Radio remote control
Radiocommandes
Funkfernsteuerung

OPTIONAL



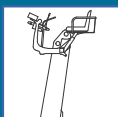
Doppio limitatore di momento
Double load limiting device
Double limiteur de charge
Doppel Überlastabschal tungssystem



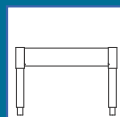
Comando supplementare attivato (1/2)
Additional function (1/2)
Section du distributeur activée (1/2)
Zusatzfunktion (1/2)



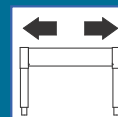
Verricello
Winch
Treuil
Seilwinde



Posto di manovra in alto
Top seat
Siege en haut
Hochsitz



Traversa ausiliaria fissa
Additional outriggers beam without extension
Stabilisateurs supplémentaires sans élargissement
Zusätzliche abstützbeine



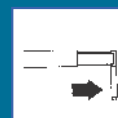
Traversa ausiliaria estendibile
Additional outriggers with lateral extension
Stabilisateurs supplémentaires avec élargissement
Ausfahrbare zusatz- stützen



Cestello
Basket
Nacelle
Personenkorb



Rotazione continua
Continuous rotation
Rotation continue
Endlos schwenkwerk



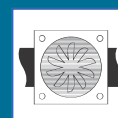
Stabilizzatori gru base estendibili idraulicamente
Outriggers with hydraulic
Stabilisateurs avec extension hydraulique
Hydraulisch ausfahrbare stützen



Trattamento marino della gru
Marine treatment of the crane
Trattement marine de la grue
Marine behandlung des kranes



Rotazione 420°
Rotation 420°
Rotation 420°
Drehbereich 420°



Scambiatore di calore
Oil cooler
Echangeur de chaleur
Ölkühler



Piastre di appoggio maggiorate
Large ground plates
Plaques stabilisateurs
Bodenplatten



CORMACH

Cormach s.r.l. - Via Madonnina, 27 - C.P. 199 - 25018 MONTICHIARI (BS) - ITALY
Tel. 0039.030.9656811 - Telefax 0039.030.9656846.7.8
E-mail: info@cormach.com - www.cormach.com

A fronte di una continua ricerca tecnologica i dati possono cambiare senza preavviso. Contattare il nostro Ufficio Commerciale per ulteriori informazioni.
Because of continuous technology research data can change without notice. Please, contact our Commercial Dept. for further information.
A cause de une continue recherche technologique les données peuvent changer sans préavis. Contacter notre Bureau Commercial pour des autres informations.
Irrtum und technische Änderung vorbehalten. Masse und Gewichte unverbindlich. Unser Vertrieb erteilt Ihnen gerne weitere Auskünfte. Bitte rufen Sie uns an.
Debito a los continuos avances tecnológicos los datos pueden variar sin notificación previa. Para más información rogamos contacten nuestro Departamento Comercial.