

# CORMAGH

Quality Management  
ISO 9001

[www.dekra-seal.com](http://www.dekra-seal.com)



# 22500 E

A.S.C.



[www.cormach.com](http://www.cormach.com)

# ... ABOUT ANCIENT

# EGYPT MANUSCRIPTS



**KHANKAMON, PHAROAH OF EGYPT, DREAMED ABOUT HIS PYRAMID. THAT IN HIS INTENT, HE WOULD BECOME THE BIGGEST EVER BUILT.**

Here! What hard work. Is it possible that anybody can think of a better pushing system?



**THE BUILDING PROCESS WAS SLOW BEING HIS RESOURCES LIMITED TO SLAVES AND MATERIAL.**

But, why as it such hard work using only one support?



**THE PHAROAH LIVED A SHORT AND HARD LIFE AND THE PYRAMIDS REMAINED A DREAM.**

Here is something illogical in this system. The offset boom unbalances the structure.



**LATER THE PHAROAH DECIDED TO BUILD AN OBELISK WITH HIS IMAGE ON TOP.**

Why is the structure so weak? It cannot carry the weight of my statue!



**PHAROAH CORMISES, YEARS LATER, DREAMED THE SAME DREAM. OF THE BIGGEST PYRAMID BEING HIS OWN.**

Here is the solution: Cormach system will roller bearing, faster and more efficient.



**BEING OLD HE DECIDED TO FINISH HIS DREAM. BUT HE NEEDED SOMETHING TO SPEED THE WORK UP.**

Here is the solution: Cormach system will double mass and double lifting cylinders.



**CORMISES DREAM CAME THROUGH AND HIS PYRAMID WILL STAND FOR EVER.**

Here is the solution: Cormach boom in central position makes the structure more balanced. Excellent!



**MANY YEARS LATER CORMISES BUILT HIS OBELISK WITH HIS STATUE ON TOP. ALL THE PEOPLE TO SEE HIS IMAGE FOR YEARS TO COME.**

Amazing!! the balanced structure can support a much heavier load!!

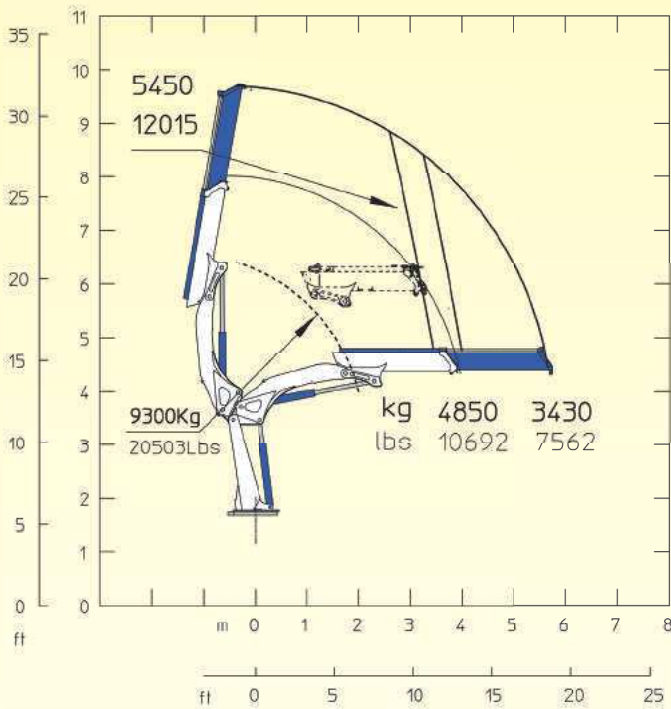
22500 E A.S.C.

GORMAGH

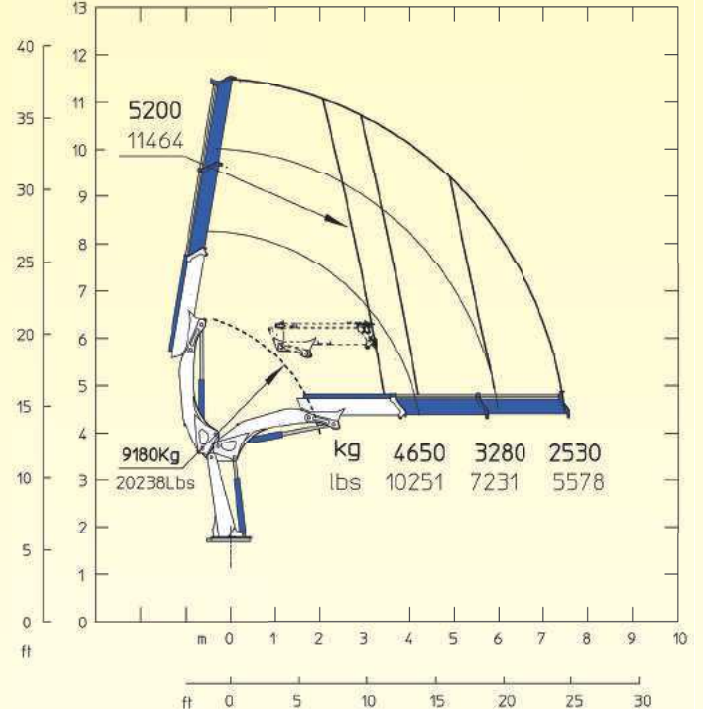


# 22500 E A.S.C.

## 22500 E1 A.S.C



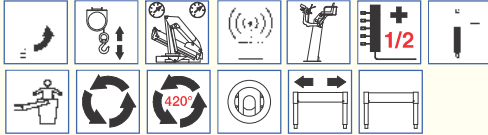
## 22500 E2 A.S.C.



### STANDARD



### OPTIONAL



### STANDARD



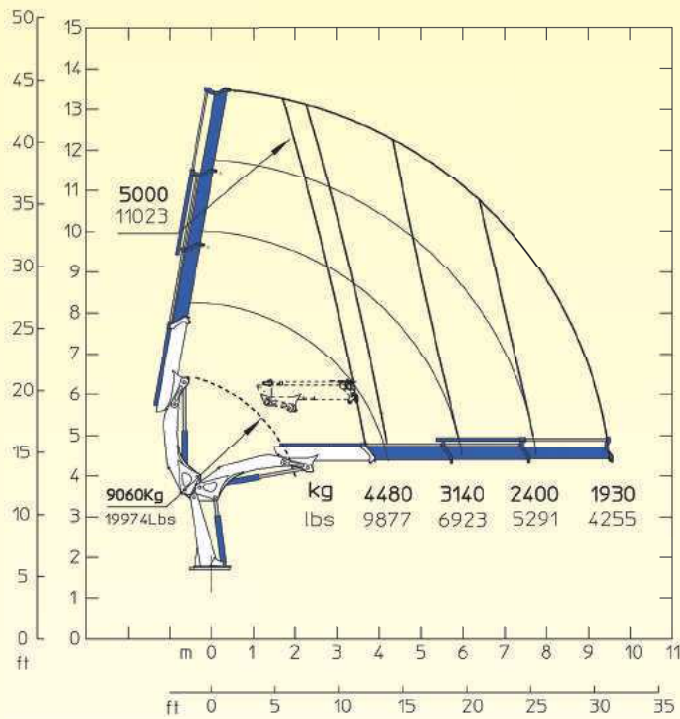
### OPTIONAL



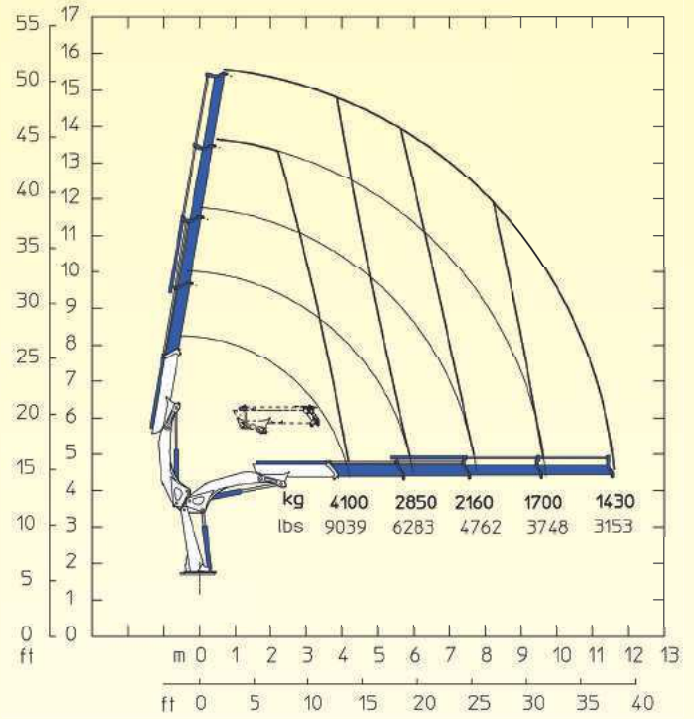
E1	E1		E2	E2
23000 daN*m	166391 Lb*ft	Momento statico massimo al perno torretta • Max. static moment at the turret pin Moment statique max. a l'axe de la tourelle • Max. statisches ubmoment am kranseulenbolzen	23000 daN*m	166391 Lb*ft
5.72 m	18' 9"	Sbraccio idraulico • Hydraulic boom length Longueur du bras hydraulique • Hydraulic reichweite	7.56 m	24' 10"
11.56 m	37' 11"	Sbraccio con prolunghe manuali • Boom length with manual extensions Longueur du bras avec rallonges manuelles	13.70 m	44' 11"
2600 daN*m	18810 Lb*ft	Coppia di rotazione • Slew torque • Moment de rotation • Drehmoment	2600 daN*m	18810 Lb*ft
40 s - 360°	40 s - 360°	Tempo di rotazione • Slewing speed • Temp de rotation • Schwenkgeschwindigkeit	40 s - 360°	40 s - 360°
1850+1600 mm	6' 1" + 5' 3"	Uscita stabilizzatori • Outriggers extensions Sortie des bequilles • Breite der abstützung	1850+1600 mm	6' 1" + 5' 3"
5830 mm	19' 2"	Larghezza stabilizzatori • Outriggers width Largeur des bequilles • Breite der abstützung	5830 mm	19' 2"
949 mm	3' 1"	Lunghezza • Length • Longeur • Länge	949 mm	3' 1"
2515 mm	8' 3"	Larghezza • Width • Largeur • Breite	2515 mm	8' 3"
2281 mm	7' 6"	Altezza • Height • Huteur • Höhe	2281 mm	7' 6"
2460 kg	5423 lbs	Peso (senza olio e montaggio) • Weight (without oil and fitting) Poids (sans huile et montage) • Gewicht (ohne öl und ohne)	2600 kg	5732 lbs
45 l/min	12 us gal/min	Portata pompa (*) • Pump delivery (*) • Capacité de la pompe (*) • Pumpenleistung (*)	45 l/min	12 us gal/min
315 bar	4480 psi	Pressione • Pressure • Pression • Druck	315 bar	4480 psi
140 l	37 us gal	Capacità serbatoio olio • Oil tank capacity • Capacité de reservoir d'huile • Öl tank inhalt	140 l	37 us gal

(\*) Consigliata, (\*) Recommended, (\*) Reconnaté, (\*) Empfohlen.

## 22500 E3 A.S.C.



## 22500 E4 A.S.C.



### STANDARD



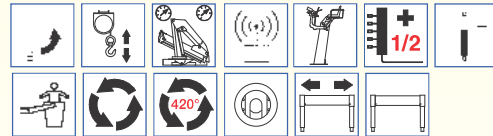
### OPTIONAL



### STANDARD



### OPTIONAL

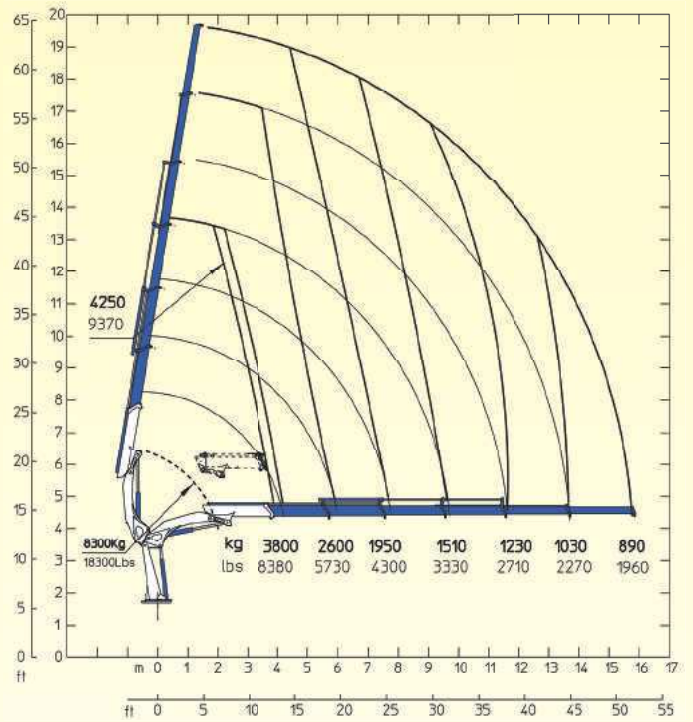
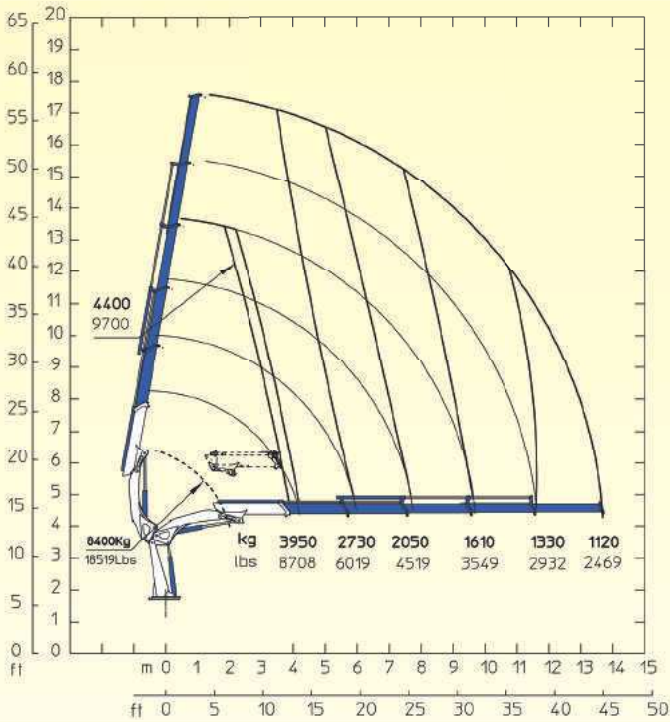


E3	E3		E4	E4
23000 daN*m	166391 Lb*ft	Momento statico massimo al perno torretta • Max. static moment at the turret pin Moment statique max. a l'axe de la tourelle • Max. statisches ubmoment am kranstaulenbolzen	22000 daN*m	159160 Lb*ft
9.56 m	31' 4"	Sbraccio idraulico • Hydraulic boom length Longueur du bras hydraulique • Hydraulic reichweite	11.56 m	37' 11"
15.84 m	51' 12"	Sbraccio con prolunghe manuali • Boom length with manual extensions Longueur du bras avec rallonges manuelles	15.84 m	51' 12"
2600 daN*m	18810 Lb*ft	Coppia di rotazione • Slew torque • Moment de rotation • Drehmoment	2600 daN*m	18810 Lb*ft
40 s - 360°	40 s - 360°	Tempo di rotazione • Slewing speed • Temp de rotation • Schwenkgeschwindigkeit	40 s - 360°	40 s - 360°
1850+1600 mm	6' 1" + 5' 3"	Uscita stabilizzatori • Outriggers extensions Sortie des bequilles • Breite der abstützung	1850+1600 mm	6' 1" + 5' 3"
5830 mm	19' 2"	Larghezza stabilizzatori • Outriggers width Largeur des bequilles • Breite der abstützung	5830 mm	19' 2"
949 mm	3' 1"	Lunghezza • Length • Longeur • Länge	949 mm	3' 1"
2515 mm	8' 3"	Larghezza • Width • Largeur • Breite	2515 mm	8' 3"
2281 mm	7' 6"	Altezza • Height • Huteur • Höhe	2281 mm	7' 6"
2740 kg	6041 lbs	Peso (senza olio e montaggio) • Weight (without oil and fitting) Poids (sans huile et montage) • Gewicht (ohne öl und ohne)	2860 kg	6305 lbs
45 l/min	12 us gal/min	Portata pompa (*) • Pump delivery (*) • Capacité de la pompe (*) • Pumpenleistung (*)	45 l/min	12 us gal/min
315 bar	4480 psi	Pressione • Pressure • Pression • Druck	305 bar	4337 psi
140 l	37 us gal	Capacità serbatoio olio • Oil tank capacity • Capacité de reservoir d'huile • Öl tank inhalt	140 l	37 us gal

# 22500 E A.S.C.

## 22500 E5 A.S.C.

## 22500 E6 A.S.C.



### STANDARD



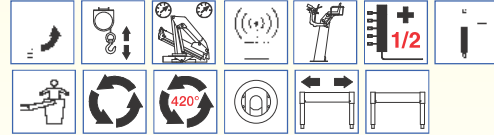
### OPTIONAL



### STANDARD

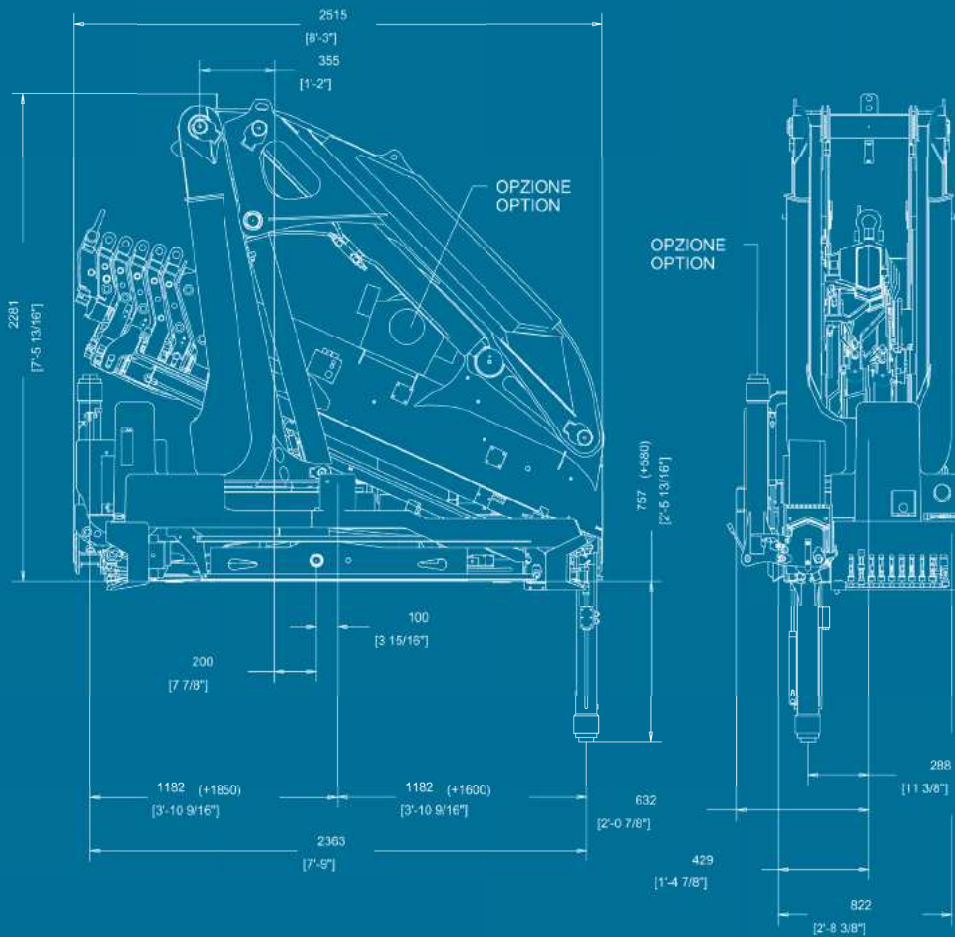


### OPTIONAL



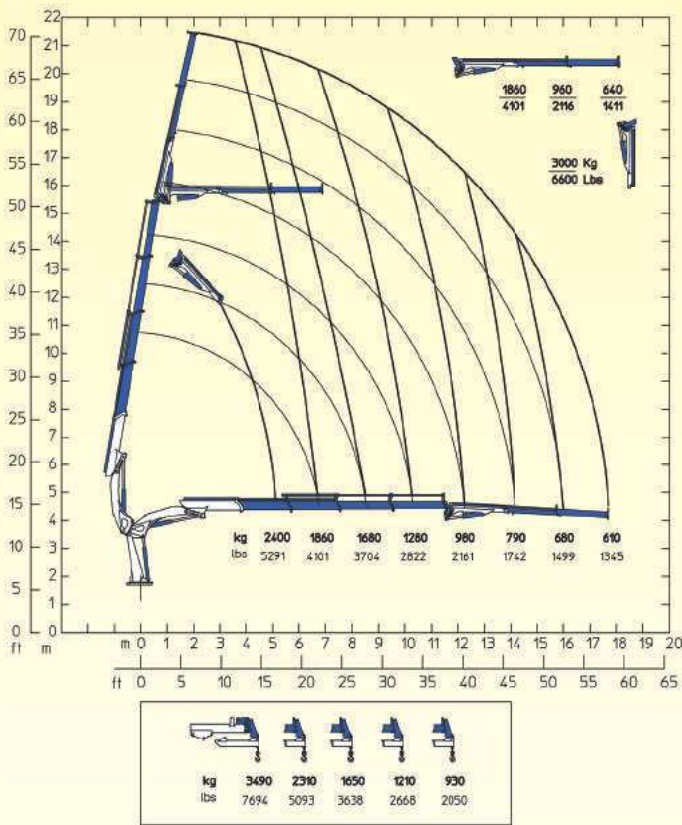
E5	E5		E6	E6
22000 daN*m	159160 Lb*ft	Momento statico massimo al perno torretta • Max. static moment at the turret pin Moment statique max. a l'axe de la tourelle • Max. statisches ubmoment am kranstaulenbolzen	22000 daN*m	159160 Lb*ft
13.70 m	44' 11"	Sbraccio idraulico • Hydraulic boom length Longueur du bras hydraulique • Hydraulic reichweite	15.84 m	51' 12"
15.84 m	51' 12"	Sbraccio con prolunghe manuali • Boom length with manual extensions Longueur du bras avec rallonges manuelles	/	/
2600 daN*m	18810 Lb*ft	Coppia di rotazione • Slew torque • Moment de rotation • Drehmoment	2600 daN*m	18810 Lb*ft
40 s - 360°	40 s - 360°	Tempo di rotazione • Slewing speed • Temp de rotation • Schwenkgeschwindigkeit	40 s - 360°	40 s - 360°
1850+1600 mm	6' 1" + 5' 3"	Uscita stabilizzatori • Outriggers extensions Sortie des bequilles • Breite der abstützung	1850+1600 mm	6' 1" + 5' 3"
5830 mm	19' 2"	Larghezza stabilizzatori • Outriggers width Largeur des bequilles • Breite der abstützung	5830 mm	19' 2"
949 mm	3' 1"	Lunghezza • Length • Longeur • Länge	949 mm	3' 1"
2515 mm	8' 3"	Larghezza • Width • Largeur • Breite	2515 mm	8' 3"
2281 mm	7' 6"	Altezza • Height • Huteur • Höhe	2281 mm	7' 6"
2960 kg	6526 lbs	Peso (senza olio e montaggio) • Weight (without oil and fitting) Poids (sans huile et montage) • Gewicht (ohne öl und ohne)	3060 kg	6746 lbs
45 l/min	12 us gal/min	Portata pompa (*) • Pump delivery (*) • Capacité de la pompe (*) • Pumpenheistung (*)	45 l/min	12 us gal/min
305 bar	4337 psi	Pressione • Pressure • Pression • Druck	305 bar	4337 psi
140 l	37 us gal	Capacità serbatoio olio • Oil tank capacity • Capacité de reservoir d'huile • Öl tank inhalt	140 l	37 us gal

(\*) Consigliata, (\*) Recommended, (\*) Reconnagé, (\*) Empfohlen.

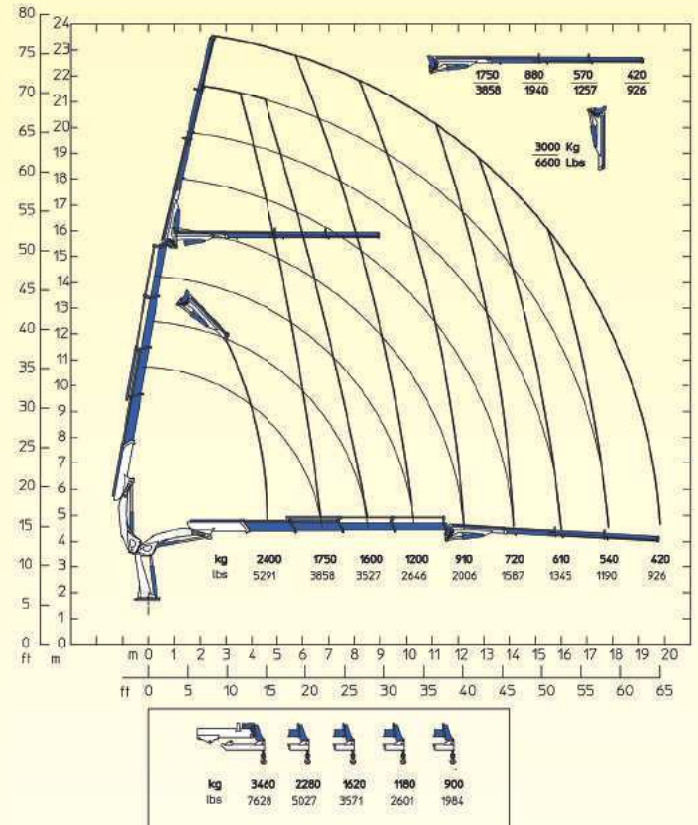


# 22500 E A.S.C.

## 22500 E4F62 A.S.C. Plus



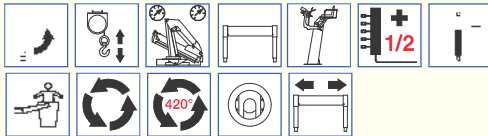
## 22500 E4F63 A.S.C. Plus



### STANDARD



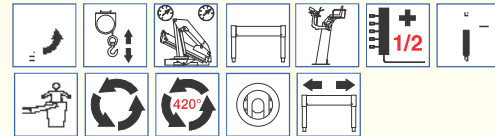
### OPTIONAL



### STANDARD



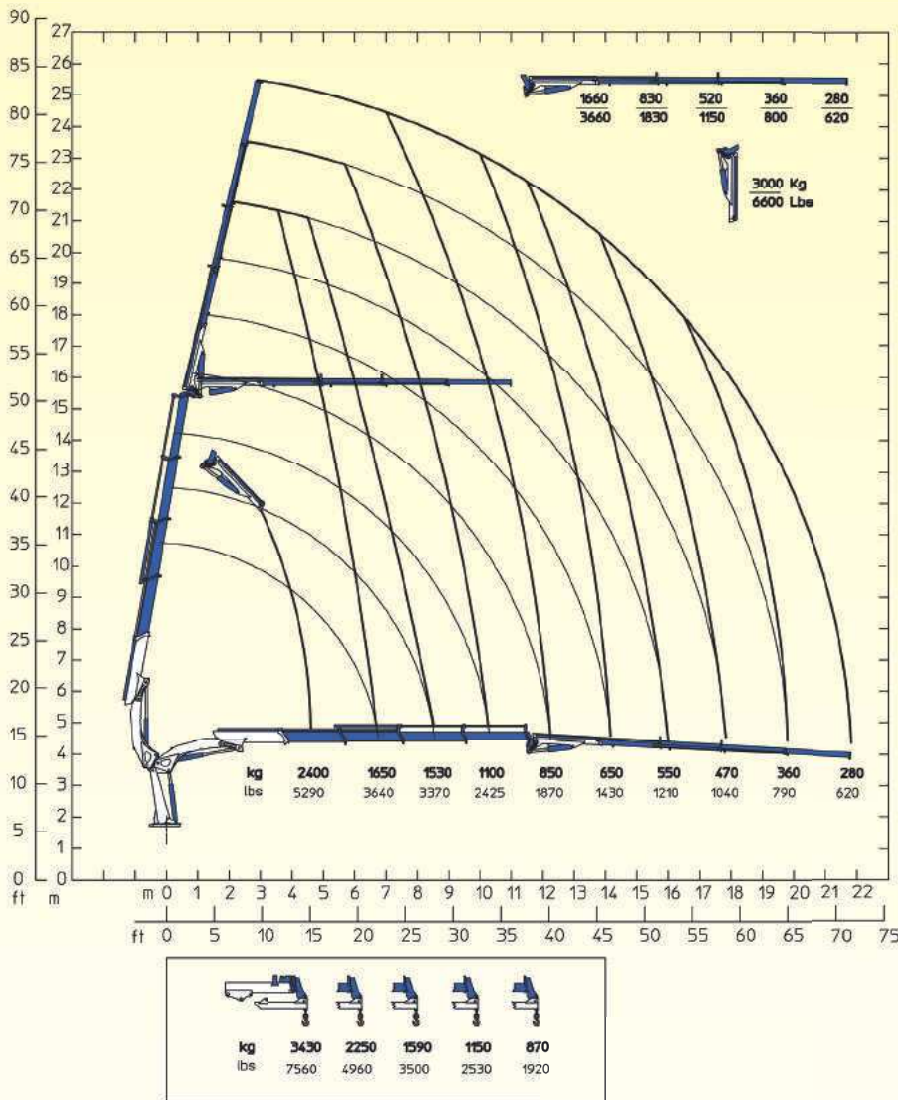
### OPTIONAL



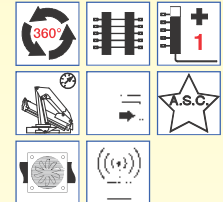
E4F62	E4F62		E4F63	E4F63
22000 daN*m	159160 Lb*ft	Momento statico massimo al perno torretta • Max. static moment at the turret pin Moment statique max. a l'axe de la tourelle • Max. statisches ubmoment am kran-saulenbolzen	22000 daN*m	159160 Lb*ft
17.69 m	58'	Sbraccio idraulico • Hydraulic boom length Longueur du bras hydraulique • Hydraulic reichweite	19.73 m	64' 9"
/	/	Sbraccio con prolungha manuali • Boom length with manual extensions Longueur du bras avec rallonges manuelles	/	/
2600 daN*m	18810 Lb*ft	Coppia di rotazione • Slew torque • Moment de rotation • Drehmoment	2600 daN*m	18810 Lb*ft
40 s - 360°	40 s - 360°	Tempo di rotazione • Slewing speed • Temp de rotation • Schwenkgeschwindigkeit	40 s - 360°	40 s - 360°
1850+1600 mm	6' 1" + 5' 3"	Uscita stabilizzatori • Outriggers extensions Sortie des bequilles • Breite der abstützung	1850+1600 mm	6' 1" + 5' 3"
5830 mm	19' 2"	Larghezza stabilizzatori • Outriggers width Largeur des bequilles • Breite der abstützung	5830 mm	19' 2"
949 mm	3' 1"	Lunghezza • Length • Longeur • Länge	949 mm	3' 1"
2515 mm	8' 3"	Larghezza • Width • Largeur • Breite	2515 mm	8' 3"
2352 mm	7' 9"	Altezza • Height • Huteur • Höhe	2352 mm	7' 9"
3390 kg	7474 lbs	Peso (senza olio e montaggio) • Weight (without oil and fitting) Poids (sans huile et montage) • Gewicht (ohne öl und ohne)	3460 kg	7628 lbs
45 l/min	12 us gal/min	Portata pompa (*) • Pump delivery (*) • Capacité de la pompe (*) • Pumpenheistung (*)	45 l/min	12 us gal/min
305 bar	4337 psi	Pressione • Pressure • Pression • Druck	305 bar	4337 psi
140 l	37 us gal	Capacità serbatoio olio • Oil tank capacity • Capacité de reservoir d'huile • Öl tank inhalt	140 l	37 us gal



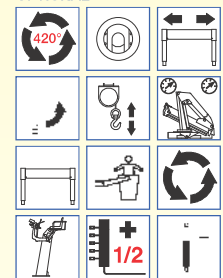
# 22500 E4F64 A.S.C. Plus



### STANDARD

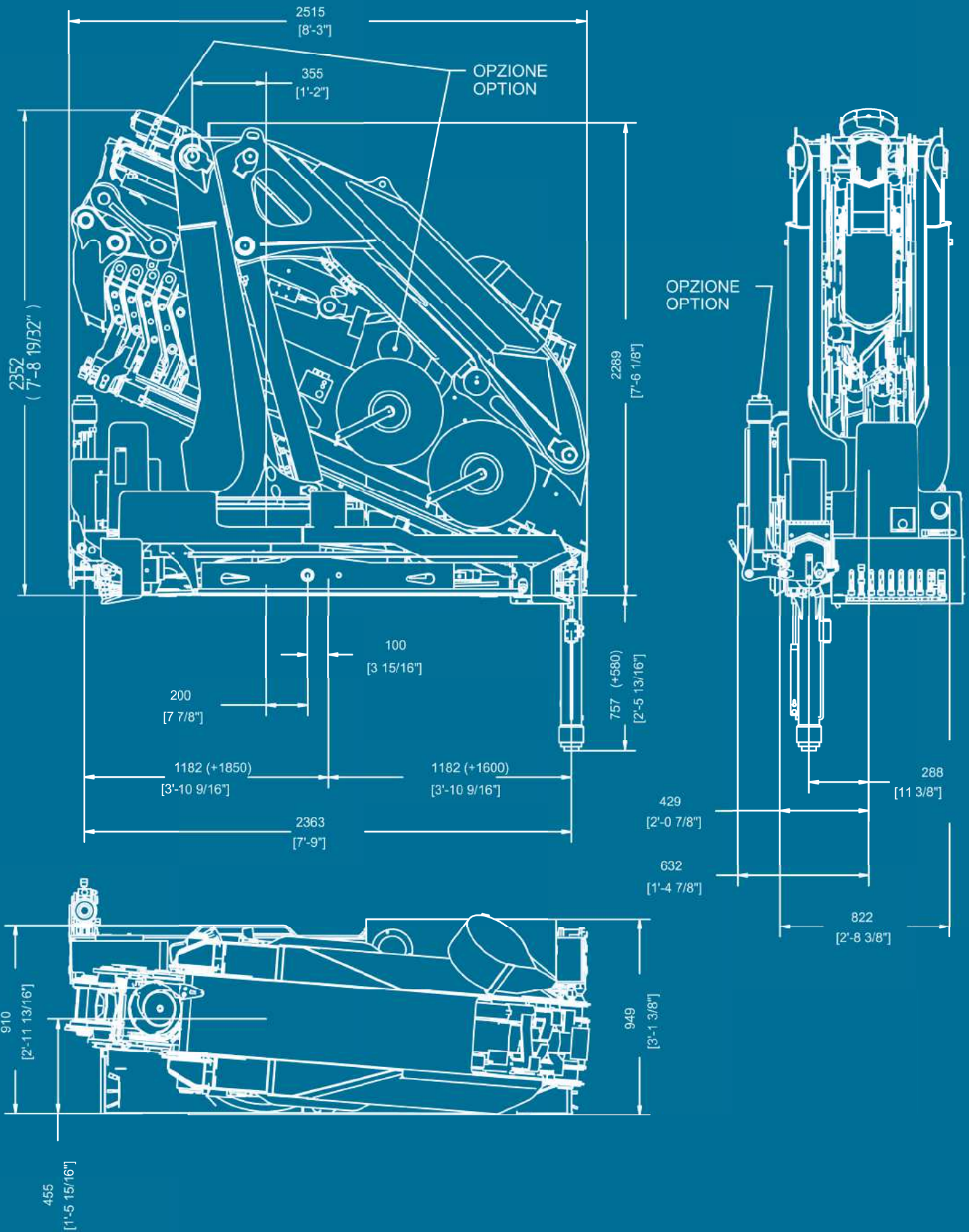


### OPTIONAL



E4F64	E4F64	
22000 daN*m	159160 Lb*ft	Momento statico massimo al perno torretta • Max. static moment at the turret pin Moment statique max. a l'axe de la tourelle • Max. statisches ubmoment am kransaulenbolzen
21.77 m	71' 5"	Sbraccio idraulico • Hydraulic boom length Longueur du bras hydraulique • Hydraulic reichweite
/	/	Sbraccio con prolunghe manuali • Boom length with manual extensions Longueur du bras avec rallonges manuelles
2600 daN*m	18814 Lb*ft	Coppia di rotazione • Slew torque • Moment de rotation • Drehmoment
40 s - 360°	40 s - 360°	Tempo di rotazione • Slewing speed • Temp de rotation • Schwenkgeschwindigkeit
1850+1600 mm	6' 1" + 5' 3"	Uscita stabilizzatori • Outriggers extensions Sortie des bequilles • Breite der abstützung
5830 mm	19' 2"	Larghezza stabilizzatori • Outriggers width Largeur des bequilles • Breite der abstützung
949 mm	3' 1"	Lunghezza • Length • Longeur • Länge
2515 mm	8' 3"	Larghezza • Width • Largeur • Breite
2352 mm	7' 9"	Altezza • Height • Huteur • Höhe
3520 kg	7760 lbs	Peso (senza olio e montaggio) • Weight (without oil and fitting) Poids (sans huile et montage) • Gewicht (ohne öl und ohne)
45 l/min	12 us gal/min	Portata pompa (*) • Pump delivery (*) • Capacité de la pompe (*) • Pumpenleistung (*)
305 bar	4337 psi	Pressione • Pressure • Pression • Druck
140 l	37 us gal	Capacità serbatoio olio • Oil tank capacity • Capacité de reservoir d'huile • Öl tank inhalt

# 22500 E A.S.C.

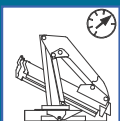




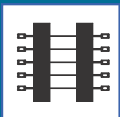
## STANDARD



**Automatic Speed Control**  
Automatic Speed Control  
Automatic Speed Control  
Automatic Speed Control



**Limitatore di momento**  
Load limiting device  
Limiteur de charge  
Überlastabschal tungssystem



**Comandi bilaterali**  
Duals control stations  
Commandes a gauche et a droite  
Beidseitige bedienung



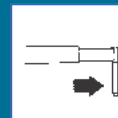
**Rotazione 360°**  
Rotation 360°  
Rotation 360°  
Drehbereich 360°



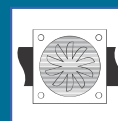
**Comando supplementare non attivato (1)**  
Additional free section not activated (1)  
Section du distributeur pas activè (1)  
Zusätzlicher steuerschieber (1)



**Radiocomando (DI SERIE SOLO PER GRU CON JIB)**  
Radio remote control (SUPPLIED AS STANDARD ON CRANES EQUIPPED WITH JIB)  
Radiocommandes (FOURNI EN SERIE SOLEMENT SUR GRUES AVEC JIB)  
Funkfernsteuerung (SERIENMÄßIG GELIEFERT NUR MIT JIB AUSGERÜSTETE KRANE)

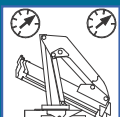


**Stabilizzatori gru base estendibili idraulicamente**  
Outriggers with hydraulic  
Stabilisateurs avec extension hydraulique  
Hydraulisch ausfahrbare stützen

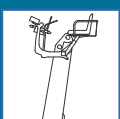


**Scambiatore di calore**  
Oil cooler  
Echangeur de chaleur  
Ölkühler

## OPTIONAL



**Doppio limitatore di momento**  
Double load limiting device  
Double limiteur de charge  
Doppel Überlastabschal tungssystem



**Posto di manovra in alto**  
Top seat  
Siege en haut  
Hochsitz



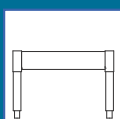
**Cestello**  
Basket  
Nacelle  
Personenkorb



**Trattamento marino della gru**  
Marine treatment of the crane  
Trattament marine de la grue  
Marine behandlung des kranes



**Comando supplementare attivato (1/2)**  
Additional function (1/2)  
Section du distributeur activè (1/2)  
Zusatzfunktion (1/2)



**Traversa ausiliaria fissa**  
Additional outriggers beam without extension  
Stabilisateur supplementaires sans elargissement  
Zusätzliche abstützbeine



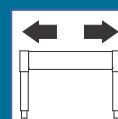
**Rotazione continua**  
Continuos rotation  
Rotation continue  
Endlos schwenkwerk



**Rotazione 420°**  
Rotation 420°  
Rotation 420°  
Drehbereich 420°



**Verricello**  
Winch  
Treuil  
Sewlinde



**Traversa ausiliaria estendibile**  
Additional outriggers with lateral extension  
Stabilisateur supplementaires avec elargissement  
Ausfahrbare zusatz- stützen



**Stabilizzatori gru base girevoli**  
Tilt up outriggers  
Bequilles tournants  
Drehbare stützen



**Piastre di appoggio maggiorate**  
Large ground plates  
Plaques stabilisateurs  
Bodenplatten



# CORMACH

Cormach s.r.l. - Via Madonnina, 27 - C.P. 199 - 25018 MONTICHIARI (BS) - ITALY  
Tel. 0039.030.9656811 - Telefax 0039.030.9656846.7.8  
E-mail: [info@cormach.com](mailto:info@cormach.com) - [www.cormach.com](http://www.cormach.com)

A fronte di una continua ricerca tecnologica i dati possono cambiare senza preavviso. Contattare il nostro Ufficio Commerciale per ulteriori informazioni.  
Because of continuous technology research data can change without notice. Please, contact our Commercial Dept. for further information.  
A cause de une continue recherche technologique les données peuvent changer sans préavis. Contacter notre Bureau Commercial pour des autres informations.  
Irrtum und technische Änderung vorbehalten masse und gewichte unverbindlich. Unser Vertrieb erteilt Ihnen gerne weitere Auskünfte. Bitte rufen Sie uns an.  
Debido a los continuos avances tecnológicos los datos pueden variar sin notificación previa. Para más información rogamos contacten nuestro Departamento Comercial.